

RHINO BATTERIES

ISO 9002 DISTRIBUTED EXCLUSIVELY BY EMPIRE



NON-SPILLABLE SEALED RECHARGEABLE BATTERY

SLA 10-12 12V, 12Ah

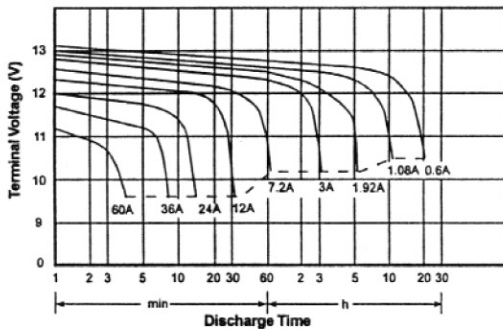
☆ SPECIFICATION

- NOMINAL VOLTAGE : 12 V
- NOMINAL CAPACITY (20 hrs) : 12 Ah
- DIMENSIONS
 - TOTAL HEIGHT : 100 mm (3.94 inches)
 - CONTAINER HEIGHT : 94 mm (3.70 inches)
 - LENGTH : 151 mm (5.95 inches)
 - WIDTH : 98 mm (3.86 inches)
- WEIGHT : APPROX 4.10 kg (9.04 lbs)
- MAX DISCHARGE CURRENT : 150/180 A (5 sec)
- STANDARD TERMINALS : FASTON TAB 187
- CONTAINER MATERIAL : GENERAL GRADE ABS
- FLAME RETARDANT ABS

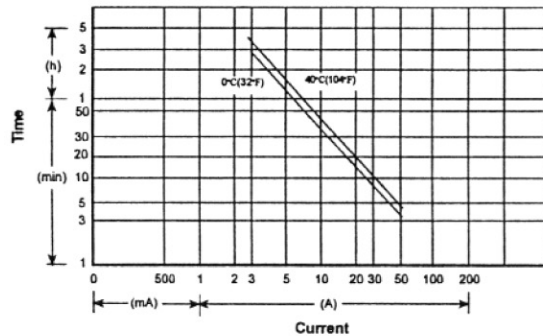
☆ CHARACTERISTICS

- CAPACITY 25°C/ 68°F
 - 20 hr @ 0.6 A : 12 Ah
 - 5 hr @ 1.92 A : 9.6 Ah
 - 1 hr @ 7.2 A : 7.2 Ah
 - 1 C @ 12 A : 6 Ah
- INTERNAL RESISTANCE : 15 mΩ
- CHARGING VOLTAGE (20°C, 68°F)
 - STANDBY USE : 2.275 ± 0.025 V/CELL (-3.3 mV/°C/CELL)
 - CYCLE USE : 2.45 ± 0.05 V/CELL (-5 mV/°C/CELL)
- MAX CHARGING CURRENT : 3.6 A

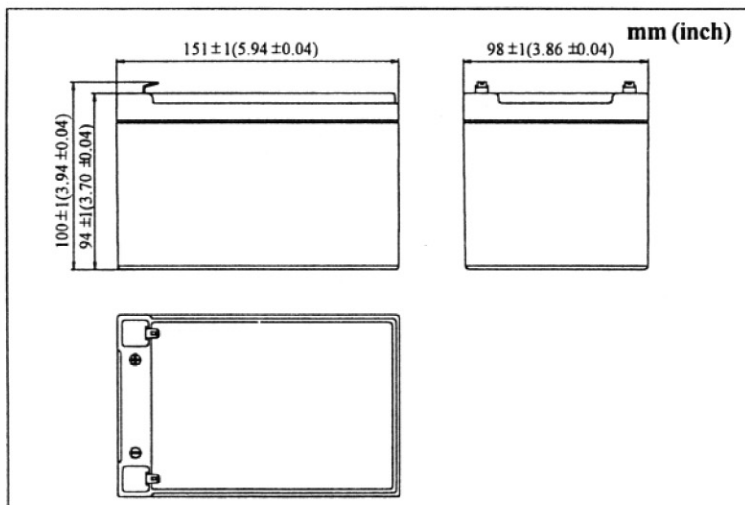
Discharge Characteristics 20°C (68°F)



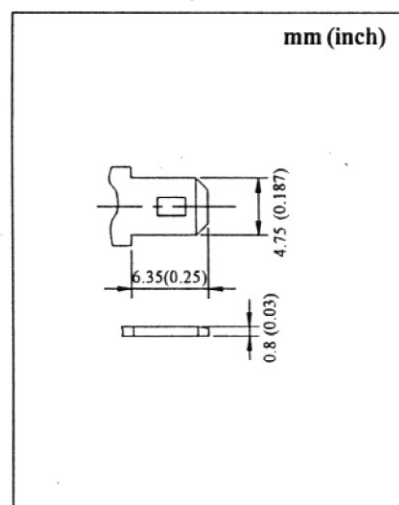
Discharge Current vs Time



☆ Dimensions



☆ Terminal



Empire Scientific
 151 East Industry Ct.
 Deer Park, NY 11729
 Phone: 1.800.645.7220 Fax: 1.800.343.5733
 Visit us on the Web: <http://www.empirescientific.com>
 Email: Sales@empirescientific.com