

# RHINO BATTERIES

ISO 9002 DISTRIBUTED EXCLUSIVELY BY EMPIRE



## NON-SPILLABLE SEALED RECHARGEABLE BATTERY SLA 12-6H(S) 6V, 12Ah

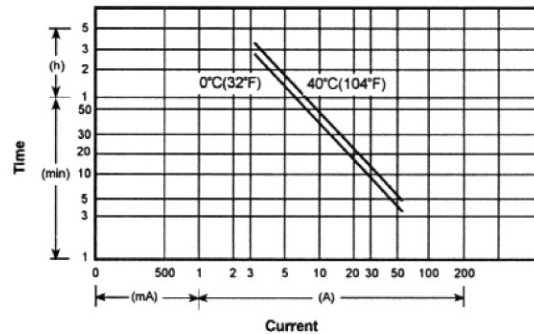
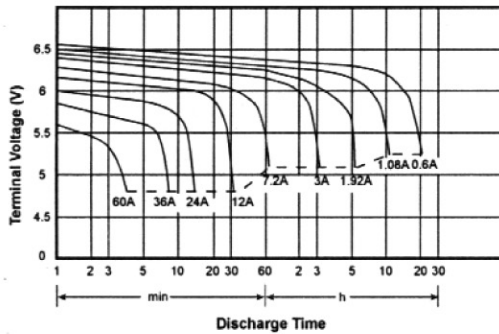
### ☆ SPECIFICATION

- NOMINAL VOLTAGE : 6 V
- NOMINAL CAPACITY(20 hrs) : 12 Ah
- DIMENSIONS
  - TOTAL HEIGHT : 140 mm ( 5.51 inches )
  - CONTAINER HEIGHT : 140 mm ( 5.51 inches )
  - LENGTH : 108 mm ( 4.25 inches )
  - WIDTH : 70 mm ( 2.76 inches )
- WEIGHT : APPROX 2.50 Kg ( 5.51 lbs )
- MAX DISCHARGE CURRENT : 30 A ( 5 sec )
- STANDARD TERMINALS : FASTON TAB 187/250
- CONTAINER MATERIAL : GENERAL GRADE ABS

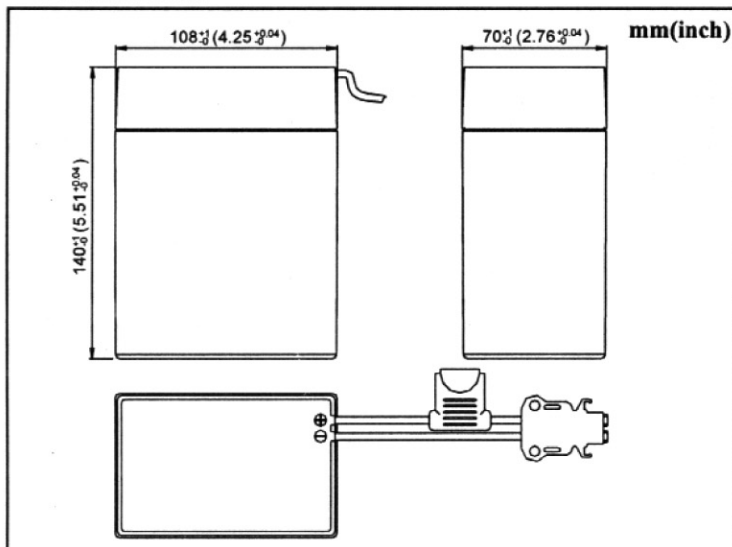
### ☆ CHARACTERISTICS

- CAPACITY 25 °C / 68 °F
  - 20 hr @ 0.6 A : 12 Ah
  - 5 hr @ 1.92 A : 9.6 Ah
  - 1 hr @ 7.2 A : 7.2 Ah
  - 1 C @ 12 A : 6 Ah
- INTERNAL RESISTANCE : 10 mΩ
- CHARGING VOLTAGE ( 20°C , 68 °F )
  - STANDBY USE : 2.275 ± 0.025 V/CELL
  - : (-3.3mV / °C / CELL)
  - CYCLE USE : 2.275 ± 0.025 V/CELL
  - : (-5mV / °C / CELL)
- MAX CHARGING CURRENT : 3.6 A

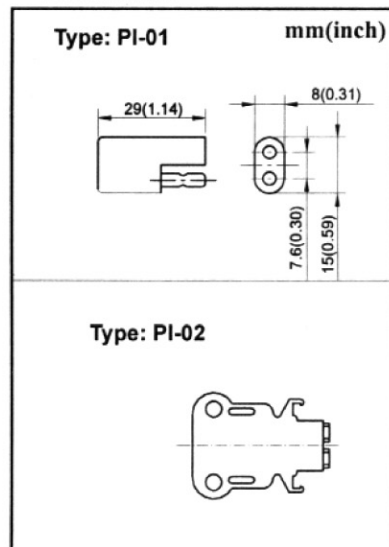
Discharge Characteristics 20 °C (68 °C)



### ☆ Dimensions



### ☆ Terminal



Empire Scientific  
151 East Industry Ct.  
Deer Park, NY 11729  
Phone: 1.800.645.7220 Fax: 1.800.343.5733  
Visit us on the Web: <http://www.empirescientific.com>  
Email: [Sales@empirescientific.com](mailto:Sales@empirescientific.com)