

RHINO BATTERIES

ISO 9002 DISTRIBUTED EXCLUSIVELY BY EMPIRE



NON-SPILLABLE SEALED RECHARGEABLE BATTERY

SLA 2.8-6 6V, 2.8Ah

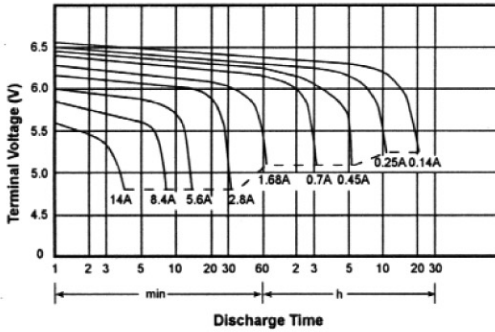
☆ SPECIFICATION

- NOMINAL VOLTAGE : 6 V
- NOMINAL CAPACITY(20 hrs) : 2.8 Ah
- DIMENSIONS
 - TOTAL HEIGHT : 98 mm (3.86 inches)
 - CONTAINER HEIGHT : 104 mm (4.09 inches)
 - LENGTH : 66 mm (2.60 inches)
 - WIDTH : 33 mm (1.30 inches)
- WEIGHT : APPROX 0.65 Kg (1.43 lbs)
- MAX DISCHARGE CURRENT : 14 A (5 sec)
- STANDARD TERMINALS : FASTON TAB 187
- CONTAINER MATERIAL : GENERAL GRADE ABS

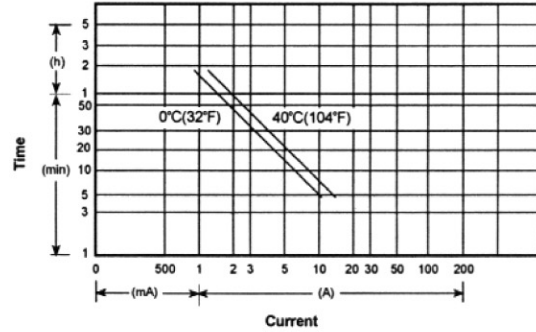
☆ CHARACTERISTICS

- CAPACITY 25 °C / 68 °F
 - 20 hr @ 0.14 A : 2.8 Ah
 - 5 hr @ 0.45 A : 2.25 Ah
 - 1 hr @ 1.68 A : 1.68 Ah
 - 1 C @ 2.8 A : 1.4 Ah
- INTERNAL RESISTANCE : 35 mΩ
- CHARGING VOLTAGE (20°C , 68 °F)
 - STANDBY USE : 2.275 ± 0.025 V/CELL
 - : (-3.3mV / °C / CELL)
 - CYCLE USE : 2.275 ± 0.025 V/CELL
 - : (-5mV / °C / CELL)
- MAX CHARGING CURRENT : 0.84 A

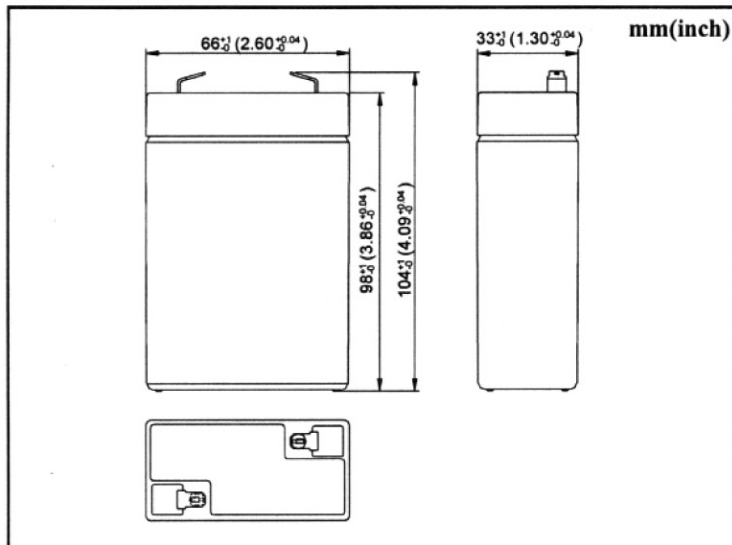
Discharge Characteristics 20 °C (68 °C)



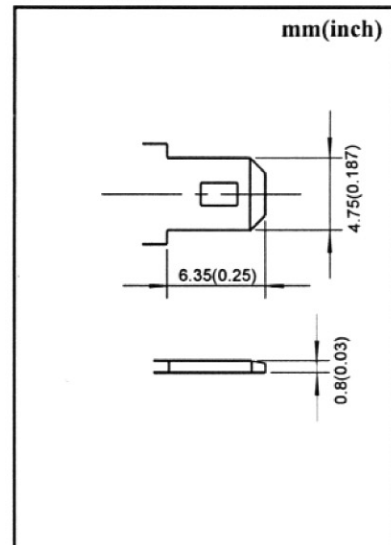
Discharge Current vs Time



☆ Dimensions



☆ Terminal



Empire Scientific
 151 East Industry Ct.
 Deer Park, NY 11729
 Phone: 1.800.645.7220 Fax: 1.800.343.5733
 Visit us on the Web: <http://www.empirescientific.com>
 Email: Sales@empirescientific.com