

# RHINO BATTERIES

ISO 9002 DISTRIBUTED EXCLUSIVELY BY EMPIRE



## NON-SPILLABLE SEALED RECHARGEABLE BATTERY SLA 1.2-12 12V, 1.2Ah

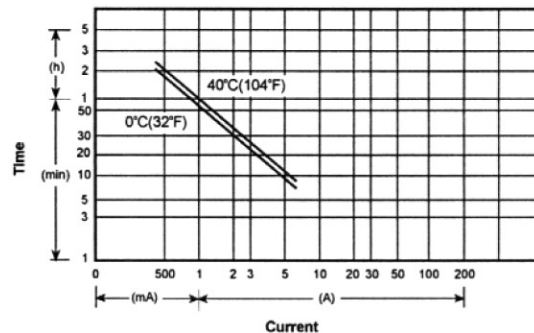
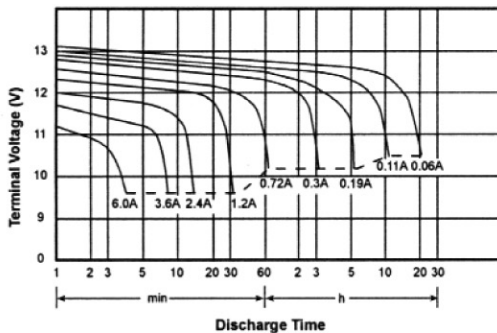
### ☆ SPECIFICATION

- NOMINAL VOLTAGE : 12 V
- NOMINAL CAPACITY(20 hrs) : 1.2 Ah
- DIMENSIONS
  - TOTAL HEIGHT : 59 mm ( 2.32 inches )
  - CONTAINER HEIGHT : 52 mm ( 2.05 inches )
  - LENGTH : 97 mm ( 3.82 inches )
  - WIDTH : 43 mm ( 1.69 inches )
- WEIGHT : APPROX 0.60 Kg ( 1.32 lbs )
- MAX DISCHARGE CURRENT : 40 A ( 5 sec )
- STANDARD TERMINALS : FASTON TAB 187
- CONTAINER MATERIAL : GENERAL GRADE ABS

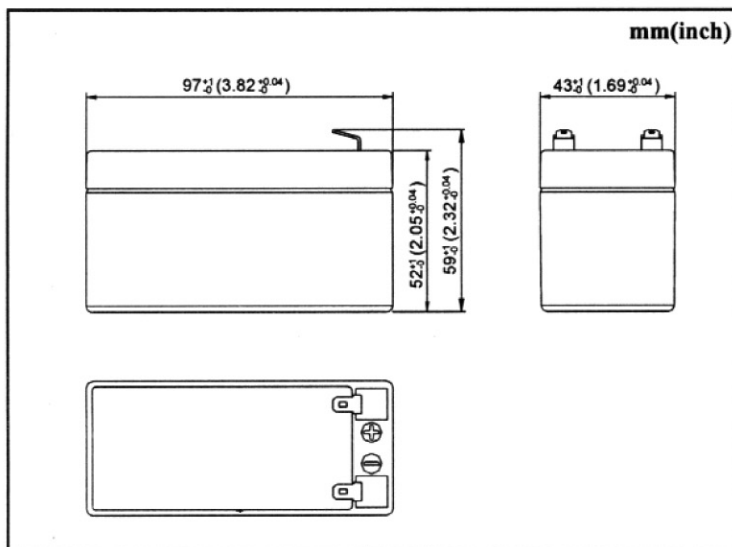
### ☆ CHARACTERISTICS

- CAPACITY 25 °C / 68 °F
  - 20 hr @ 0.06 A : 1.2 Ah
  - 5 hr @ 0.192 A : 0.96 Ah
  - 1 hr @ 0.72 A : 0.72 Ah
  - 1 C @ 1.2 A : 0.6 Ah
- INTERNAL RESISTANCE : 105 mΩ
- CHARGING VOLTAGE ( 20°C , 68 °F )
  - STANDBY USE : 2.275 ± 0.025 V/CELL
  - : (-3.3mV / °C / CELL)
  - CYCLE USE : 2.275 ± 0.025 V/CELL
  - : (-5mV / °C / CELL)
- MAX CHARGING CURRENT : 0.36 A

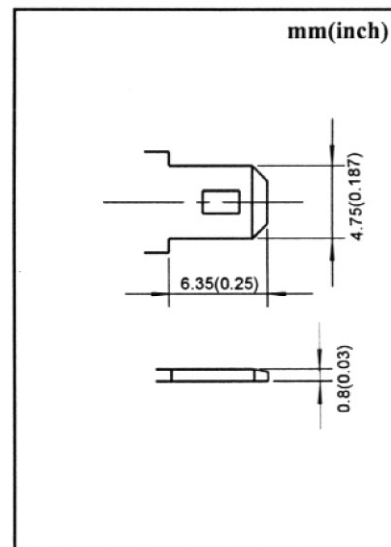
Discharge Characteristics 20 °C (68 °C)



### ☆ Dimensions



### ☆ Terminal



Empire Scientific  
151 East Industry Ct.  
Deer Park, NY 11729  
Phone: 1.800.645.7220 Fax: 1.800.343.5733  
Visit us on the Web: <http://www.empirescientific.com>  
Email: [Sales@empirescientific.com](mailto:Sales@empirescientific.com)