

RHINO BATTERIES

ISO 9002 DISTRIBUTED EXCLUSIVELY BY EMPIRE



NON-SPILLABLE SEALED RECHARGEABLE BATTERY

SLA 10-12T 12V, 10Ah

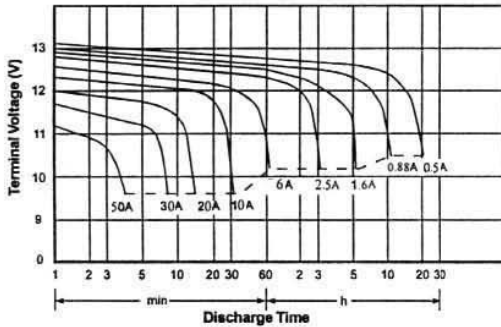
☆ SPECIFICATION

- NOMINAL VOLTAGE : 12 V
- NOMINAL CAPACITY (20 hrs) : 10 Ah
- DIMENSIONS
 - TOTAL HEIGHT : 120 mm (4.72 inches)
 - CONTAINER HEIGHT : 114 mm (4.48 inches)
 - LENGTH : 151 mm (5.95 inches)
 - WIDTH : 65 mm (2.56 inches)
- WEIGHT : APPROX 3.25 kg (7.16 lbs)
- MAX DISCHARGE CURRENT : 150/100 A (3 sec)
- STANDARD TERMINALS : FASTON TAB 187
- CONTAINER MATERIAL : GENERAL GRADE ABS

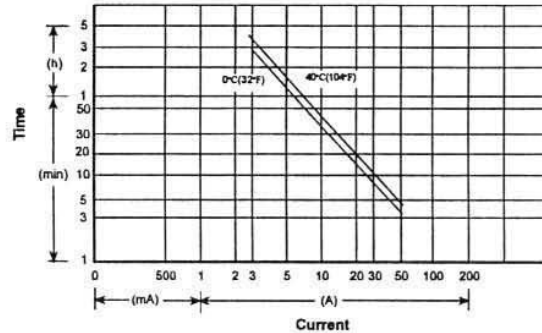
☆ CHARACTERISTICS

- CAPACITY 25°C/ 68°F
 - 20 hr @ 0.5 A : 10 Ah
 - 5 hr @ 1.6 A : 8 Ah
 - 1 hr @ 6.8 A : 6.8 Ah
 - 1 C @ 10 A : 5 Ah
- INTERNAL RESISTANCE : 15 mΩ
- CHARGING VOLTAGE (20°C, 68°F)
 - STANDBY USE : 2.275 ± 0.025 V/CELL (-3.3 mV/°C/CELL)
 - CYCLE USE : 2.45 ± 0.05 V/CELL (-5 mV/°C/CELL)
- MAX CHARGING CURRENT : 3 A

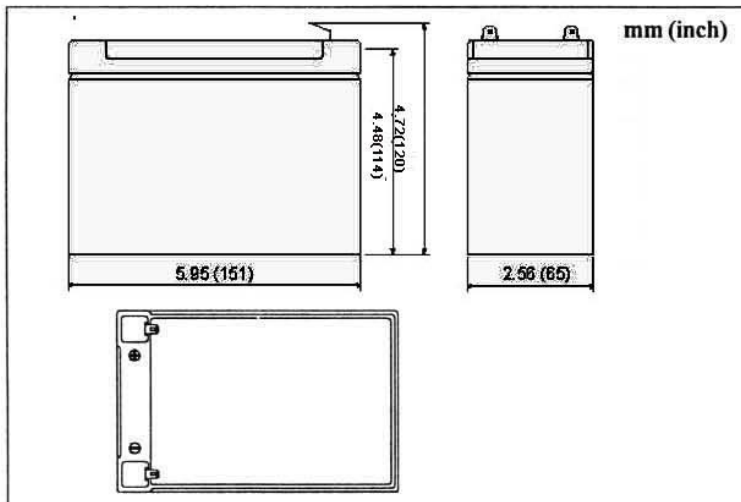
Discharge Characteristics 20°C (68°F)



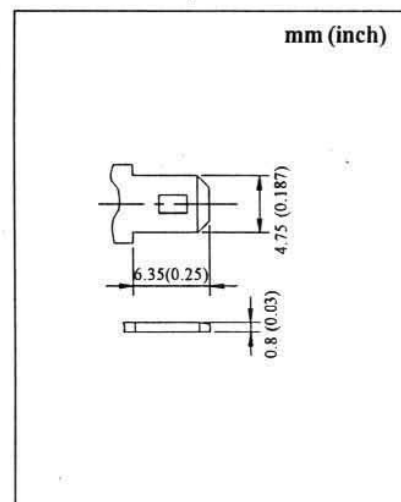
Discharge Current vs Time



☆ Dimensions



☆ Terminal



Empire Scientific - 151 East Industry Court, Deer Park, NY 11729
 Phone: 1-(800) 645-7220 Fax: 1-(800) 343-5733
 Visit us on the web: <http://www.empirescientific.com>
 Email: sales@empirescientific.com