

RHINO BATTERIES

ISO 9002 DISTRIBUTED EXCLUSIVELY BY EMPIRE



NON-SPILLABLE SEALED RECHARGEABLE BATTERY SLA 12-6H(S) 6V, 12Ah

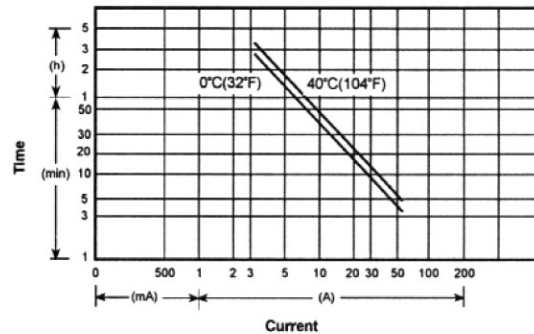
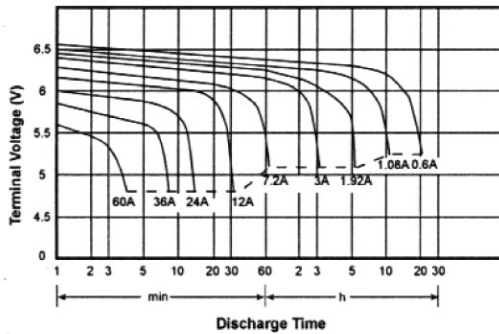
☆ SPECIFICATION

- NOMINAL VOLTAGE : 6 V
- NOMINAL CAPACITY(20 hrs) : 12 Ah
- DIMENSIONS
 - TOTAL HEIGHT : 140 mm (5.51 inches)
 - CONTAINER HEIGHT : 140 mm (5.51 inches)
 - LENGTH : 108 mm (4.25 inches)
 - WIDTH : 70 mm (2.76 inches)
- WEIGHT : APPROX 2.50 Kg (5.51 lbs)
- MAX DISCHARGE CURRENT : 30 A (5 sec)
- STANDARD TERMINALS : FASTON TAB 187/250
- CONTAINER MATERIAL : GENERAL GRADE ABS

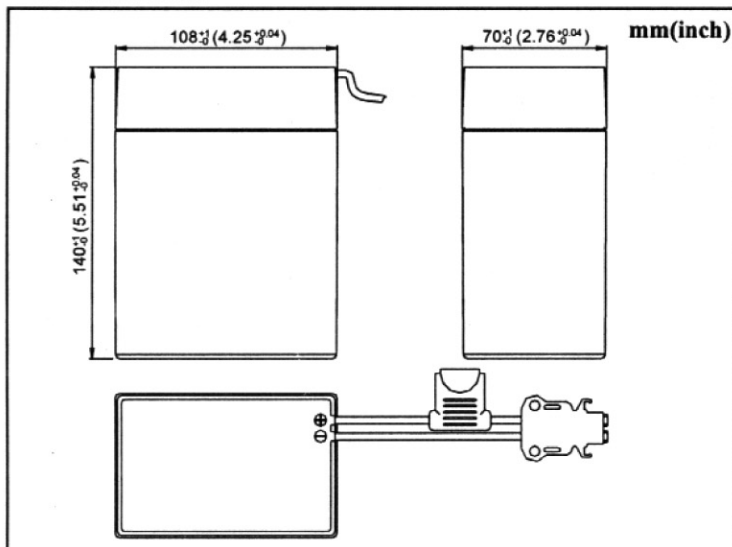
☆ CHARACTERISTICS

- CAPACITY 25 °C / 68 °F
 - 20 hr @ 0.6 A : 12 Ah
 - 5 hr @ 1.92 A : 9.6 Ah
 - 1 hr @ 7.2 A : 7.2 Ah
 - 1 C @ 12 A : 6 Ah
- INTERNAL RESISTANCE : 10 mΩ
- CHARGING VOLTAGE (20°C , 68 °F)
 - STANDBY USE : 2.275 ± 0.025 V/CELL
 - : (-3.3mV / °C / CELL)
 - CYCLE USE : 2.275 ± 0.025 V/CELL
 - : (-5mV / °C / CELL)
- MAX CHARGING CURRENT : 3.6 A

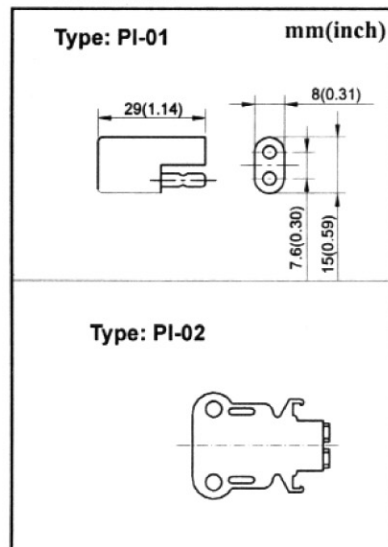
Discharge Characteristics 20 °C (68 °C)



☆ Dimensions



☆ Terminal



Empire Scientific
151 East Industry Ct.
Deer Park, NY 11729
Phone: 1.800.645.7220 Fax: 1.800.343.5733
Visit us on the Web: <http://www.empirescientific.com>
Email: Sales@empirescientific.com