

RHINO BATTERIES

ISO 9002 DISTRIBUTED EXCLUSIVELY BY EMPIRE



NON-SPILLABLE SEALED RECHARGEABLE BATTERY SLA 3-6 6V, 3.4Ah

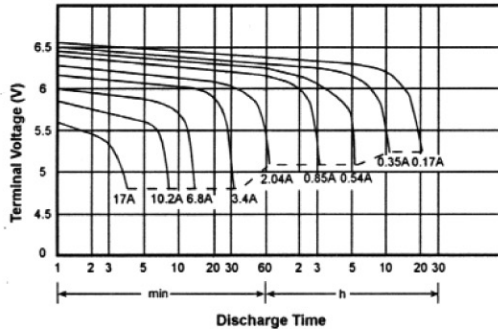
☆ SPECIFICATION

- NOMINAL VOLTAGE : 6 V
- NOMINAL CAPACITY(20 hrs) : 3.4 Ah
- DIMENSIONS
 - TOTAL HEIGHT : 67 mm (2.64 inches)
 - CONTAINER HEIGHT : 60 mm (2.36 inches)
 - LENGTH : 134 mm (5.28 inches)
 - WIDTH : 34 mm (1.34 inches)
- WEIGHT : APPROX 0.69 Kg (1.52 lbs)
- MAX DISCHARGE CURRENT : 40 A (5 sec)
- STANDARD TERMINALS : FASTON TAB 187
- CONTAINER MATERIAL : GENERAL GRADE ABS

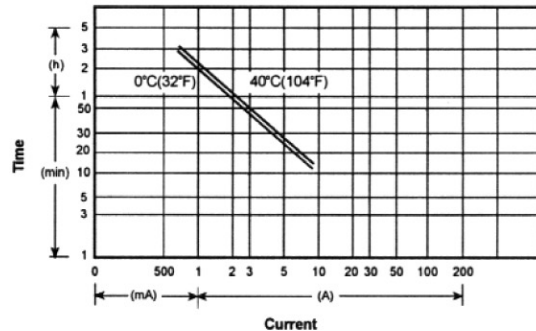
☆ CHARACTERISTICS

- CAPACITY 25 °C / 68 °F
 - 20 hr @ 0.17 A : 3.4 Ah
 - 5 hr @ 0.54 A : 2.7 Ah
 - 1 hr @ 2.04 A : 2.04 Ah
 - 1 C @ 3.4 A : 1.7 Ah
- INTERNAL RESISTANCE : 25 mΩ
- CHARGING VOLTAGE (20°C , 68 °F)
 - STANDBY USE : 2.275 ± 0.025 V/CELL
 - : (-3.3mV / °C / CELL)
 - CYCLE USE : 2.275 ± 0.025 V/CELL
 - : (-5mV / °C / CELL)
- MAX CHARGING CURRENT : 1.02 A

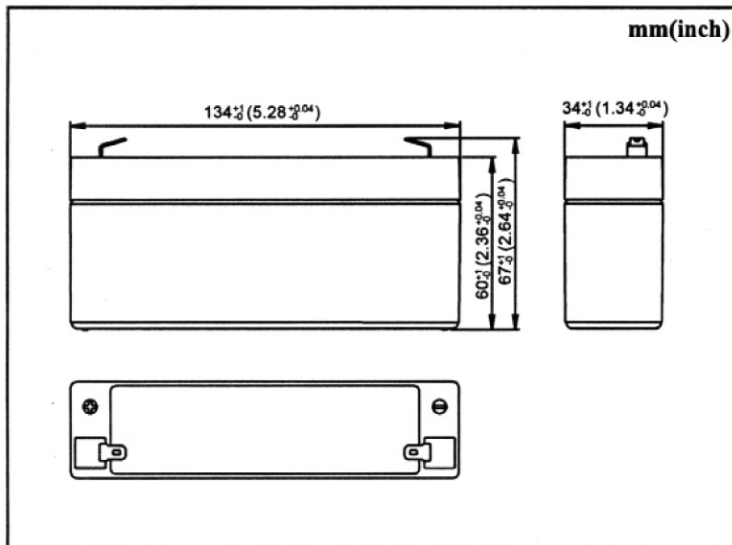
Discharge Characteristics 20 °C (68 °C)



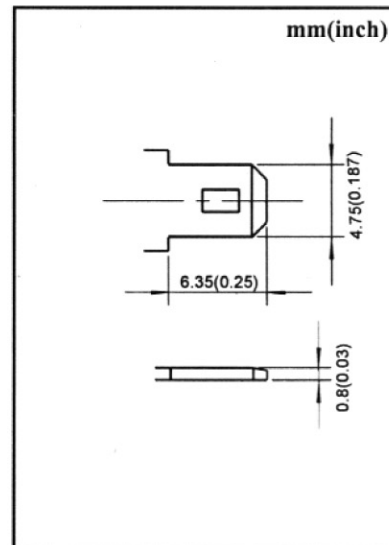
Discharge Current vs Time



☆ Dimensions



☆ Terminal



Empire Scientific
151 East Industry Ct.
Deer Park, NY 11729
Phone: 1.800.645.7220 Fax: 1.800.343.5733
Visit us on the Web: <http://www.empirescientific.com>
Email: Sales@empirescientific.com