

RHINO BATTERIES

ISO 9002 DISTRIBUTED EXCLUSIVELY BY EMPIRE



NON-SPILLABLE SEALED RECHARGEABLE BATTERY SLA 33-12FP (FLAG TERMINAL) 12V, 35.0Ah WITH HANDLE

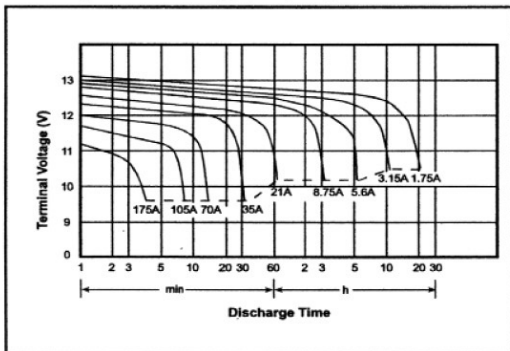
☆ SPECIFICATION

- NOMINAL VOLTAGE : 12 V
- NOMINAL CAPACITY(20 hr) : 35.0 Ah
- DIMENSIONS
 - TOTAL HEIGHT : 178 mm (7.01 inches)
 - CONTAINER HEIGHT : 158 mm (6.22 inches)
 - LENGTH : 198 mm (7.80 inches)
 - WIDTH : 130 mm (5.12 inches)
- WEIGHT : APPROX 12.28 Kg (27.07 lbs)
- CONTAINER MATERIAL : GENERAL GRADE ABS
- INTERNAL RESISTANCE(25°C , 77 °F) : ~8m
- DISCHARGE CAPACITY UNDER DIFFERENT TEMPERATURES
 - 40°C : ~102%
 - 25°C : ~100%
 - 0 °C : ~85%

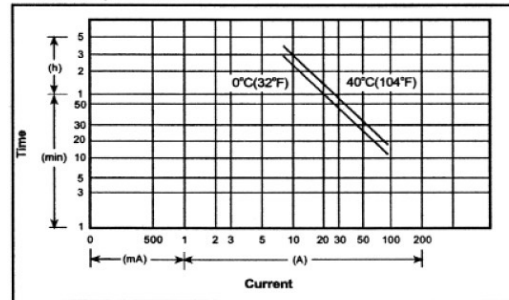
☆ CHARACTERISTICS

- CAPACITY 25 °C / 77 °F
 - 20 hr @ 1.75 A : 35.0 Ah
 - 5 hr @ 5.6 A : 28.0Ah
 - 1 hr @ 21 A : 21.0 Ah
 - 1 C @ 35A : 17.5 Ah
- CHARGING VOLTAGE (25°C , 77 °F)
 - STANDBY USE : 13.65V±0.15 V
 - CYCLE USE : 14.7V±0.3V
- MAX DISCHARGE CURRENT : 300A (5 sec)
- MAX CHARGING CURRENT : 10.5 A
- SELF-DISCHARGE RESIDUAL CAPACITY(25°C , 77 °F)
 - AFTER 3 MONTHS : 90%
 - AFTER 6 MONTHS : 82%
 - AFTER 12 MONTHS : 70%

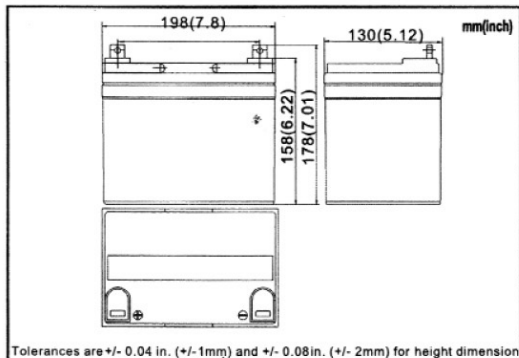
☆ Discharge Characteristics @25 °C (77 °C)



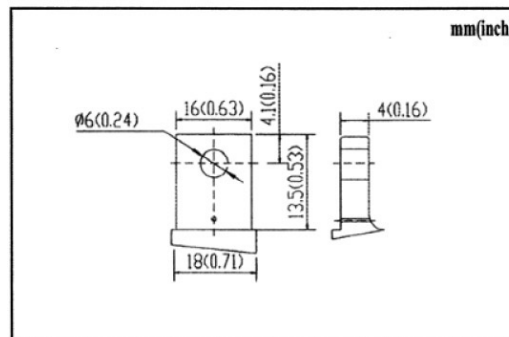
☆ Discharge Current vs Time



☆ Dimensions



☆ Terminal



Empire Scientific
151 East Industry Ct.
Deer Park, NY 11729
Phone: 1.800.645.7220 Fax: 1.800.343.5733
Visit us on the Web: <http://www.empirescientific.com>
Email: Sales@empirescientific.com