

RHINO BATTERIES

ISO 9002 DISTRIBUTED EXCLUSIVELY BY EMPIRE

NON-SPILLABLE SEALED RECHARGEABLE BATTERY SLA75-12FP (FLAG TERMINAL) 12V, 75.0Ah WITH HANDLE

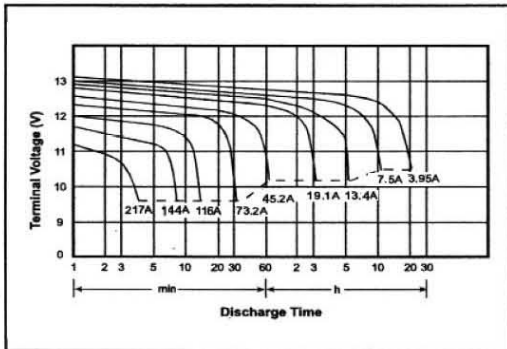
☆ SPECIFICATION

- NOMINAL VOLTAGE : 12 V
- NOMINAL CAPACITY(10 hr) : 75.0 Ah
- DIMENSIONS
 - TOTAL HEIGHT : 232 mm (9.13 inches)
 - CONTAINER HEIGHT : 210 mm (8.27 inches)
 - LENGTH : 258 mm (10.2 inches)
 - WIDTH : 166 mm (6.54 inches)
- WEIGHT : APPROX 23.3 Kg (51.5 lbs)
- CONTAINER MATERIAL : GENERAL GRADE ABS
- INTERNAL RESISTANCE(25°C , 77 °F) : ~8m
- DISCHARGE CAPACITY UNDER DIFFERENT TEMPERATURES
 - 40°C : ~102%
 - 25°C : ~100%
 - 0 °C : ~85%

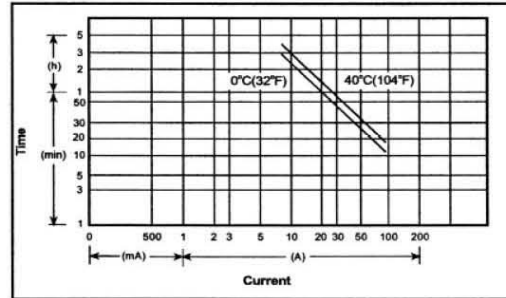
☆ CHARACTERISTICS

- CAPACITY 25 °C / 77 °F
 - 10 hr @ 7.5 A : 75.0 Ah
 - 5 hr @ 12.9 A : 64.5 Ah
 - 1 hr @ 47.0 A : 47.0 Ah
- CHARGING VOLTAGE (25°C , 77 °F)
 - STANDBY USE : 13.65V±0.15 V
 - CYCLE USE : 14.7V±0.3V
- MAX DISCHARGE CURRENT : 730A (5 sec)
- MAX CHARGING CURRENT : 22.5 A
- SELF-DISCHARGE RESIDUAL CAPACITY(25°C , 77 °F)
 - AFTER 3 MONTHS : 90%
 - AFTER 6 MONTHS : 82%
 - AFTER 12 MONTHS : 70%

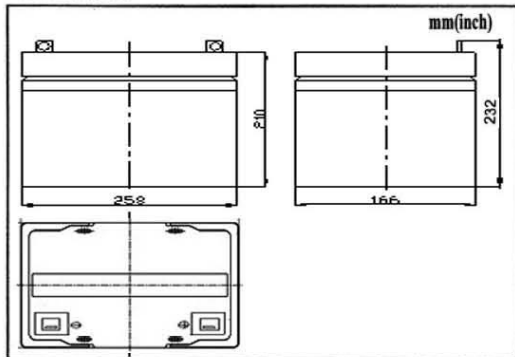
☆ Discharge Characteristics @25 °C (77 °C)



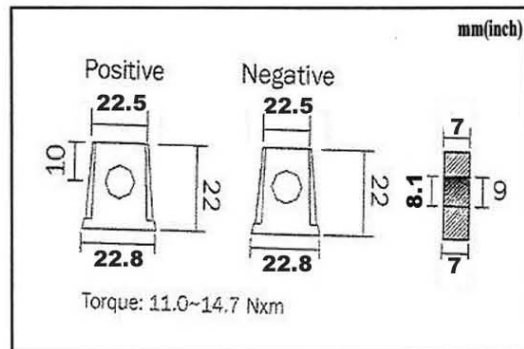
☆ Discharge Current vs Time



☆ Dimensions



☆ Terminal



Empire Scientific
 151 East Industry Ct.
 Deer Park, NY 11729
 Phone: 1.800.645.7220 Fax: 1.800.343.5733
 Visit us on the Web: <http://www.empirescientific.com>
 Email: Sales@empirescientific.com